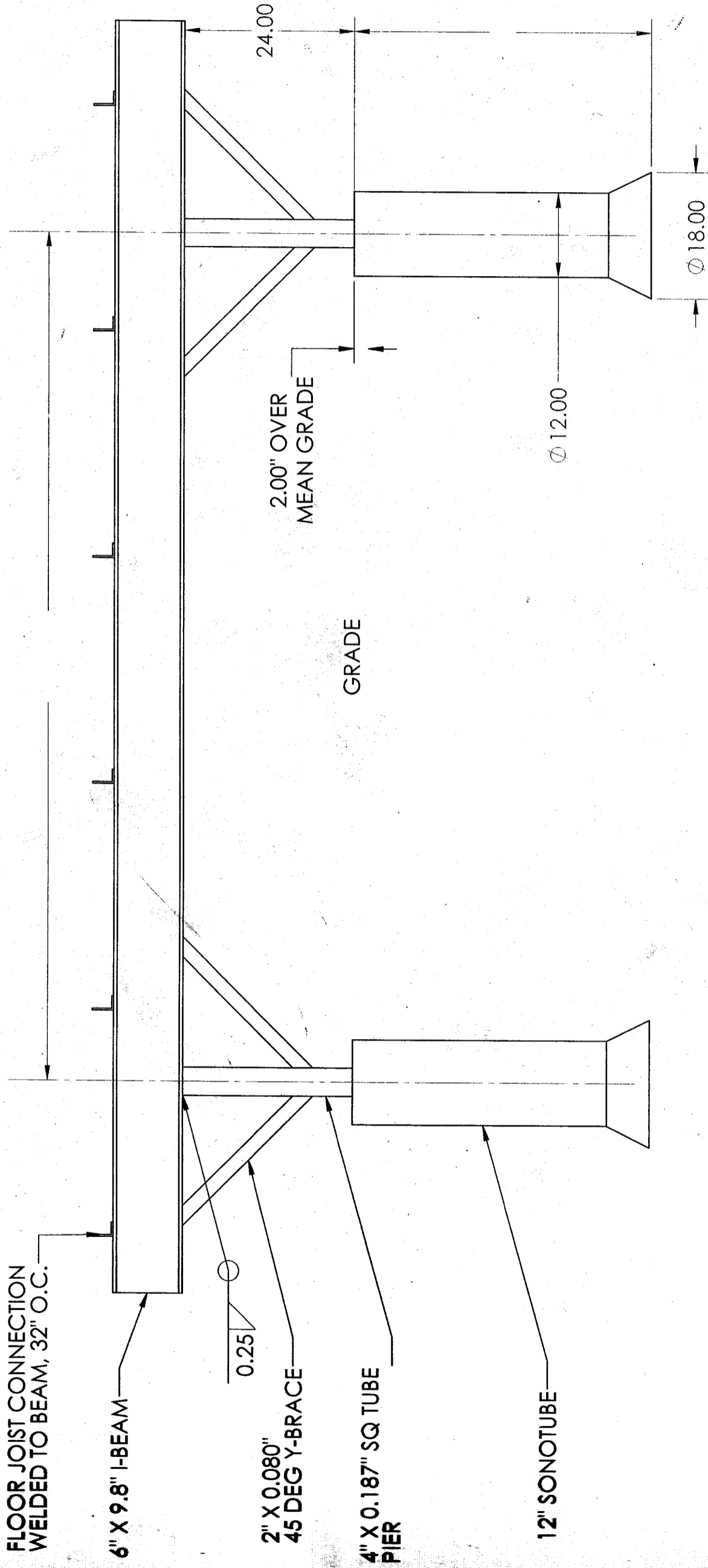


NOT TO EXCEED 10'-0"



FLOOR JOIST CONNECTION
WELDED TO BEAM, 32\" O.C.

6\" X 9.8\" I-BEAM

2\" X 0.080\"
45 DEG Y-BRACE

4\" X 0.187\" SQ TUBE
PIER

12\" SONOTUBE

2.00\" OVER
MEAN GRADE

GRADE

24.00

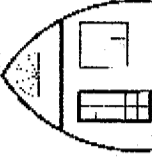
Ø 12.00

Ø 18.00

UNLESS OTHERWISE SPECIFIED STANDARD TOLERANCING
DECIMAL TOLERANCE
X ±1mm
X.X ±0.5mm
X.XX ±0.10mm
ANGULAR ±0.5°
GEOMETRIC TOLERANCING:
◎ // ⊥ WITHIN 0.2 T.I.R.
CAD GENERATED
DO NOT MANUALLY
UPDATE OR SCALE

THE INFORMATION CONTAINED IN THIS DRAWING IS THE SOLE PROPERTY OF ARCHED CABINS. ANY REPRODUCTION IN PART OR WHOLE WITHOUT THE WRITTEN PERMISSION OF ARCHED CABINS IS PROHIBITED.

ARCHED CABINS
11834 DULA LANE
CYPRESS, TX 77429
TEL: (281) 627-3621



BEAM & PIER LAYOUT DETAIL

DWG. NO. **A-204-00** REV. **01**

BY SY DATE 2-JUN-2015
DRAWN SY
CHECKED
APPROVED

TITLE
2-JUN-2015

MATERIAL
PROJECTION
UPDATE OR SCALE

UNITS in lbs
WEIGHT
FINISH

SCALE SHEET SIZE B 1 OF 4

THE INFORMATION CONTAINED IN THIS DRAWING IS CONFIDENTIAL AND PROPRIETARY TO ARCHED CABINS. ANY REPRODUCTION IN PART OR AS A WHOLE WITHOUT WRITTEN PERMISSION OF ARCHED CABINS IS PROHIBITED.

E

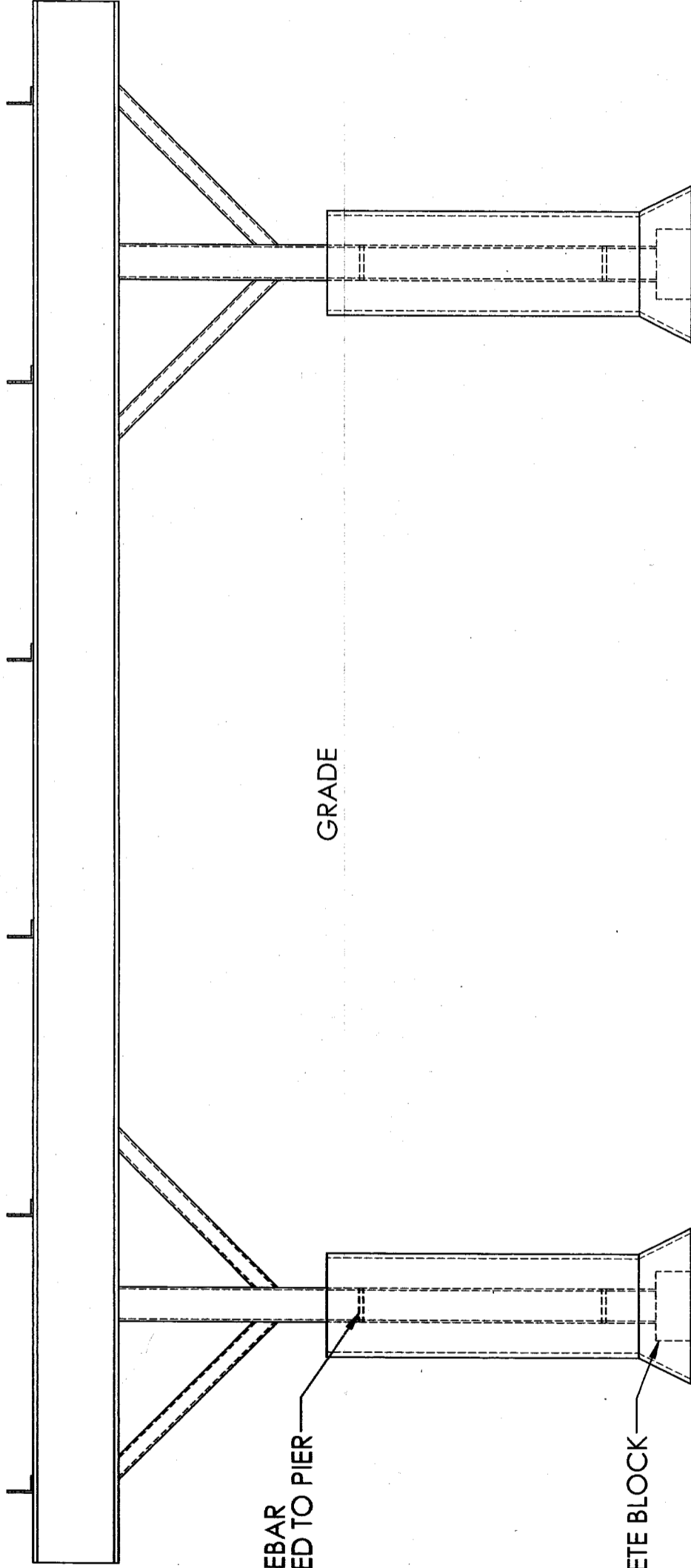
D

C

B

A

2.00



GRADE

1/2" REBAR
WELDED TO PIER

CONCRETE BLOCK

UNLESS OTHERWISE SPECIFIED STANDARD TOLERANCING

DECIMAL	TOLERANCE
X.X	+1mm
X.XX	+0.5mm
X.XXX	+0.10mm

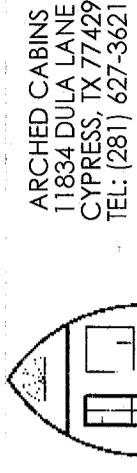
ANGULAR ±0.5°

GEOMETRIC TOLERANCING:
 ◎ // ⊥ WITHIN 0.2 T.I.R.
 CAD GENERATED
 DO NOT MANUALLY
 UPDATE OR SCALE

BY	DATE	TITLE
SY	6/2/2015	BEAM & PIER LAYOUT DETAIL

CHECKED	APPROVED
MATERIAL	PROJECTION

CAD GENERATED
DO NOT MANUALLY
UPDATE OR SCALE



ARCHED CABINS
 11834 DULA LANE
 CYPRESS, TX 77429
 TEL: (281) 627-3621

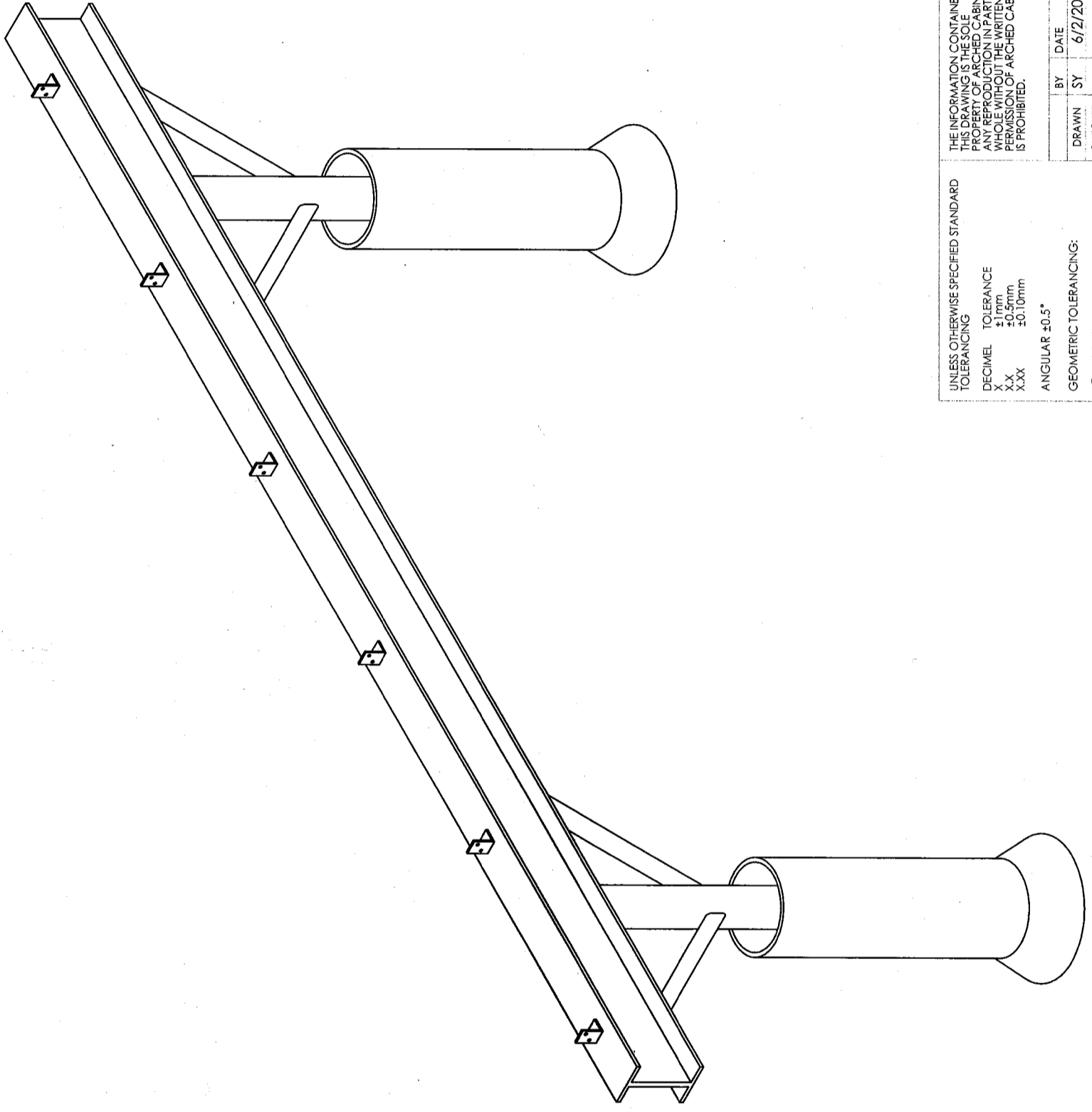
**BEAM & PIER
 LAYOUT DETAIL**

DWG. NO. **A-204-00** REV. **01**

SCALE	SHEET SIZE	SHEET
	B	2 OF 4

THE INFORMATION CONTAINED IN THIS DRAWING IS CONFIDENTIAL AND PROPRIETARY OF ARCHED CABINS. ANY REPRODUCTION IN PART OR AS A WHOLE WITHOUT WRITTEN PERMISSION OF ARCHED CABINS IS PROHIBITED.

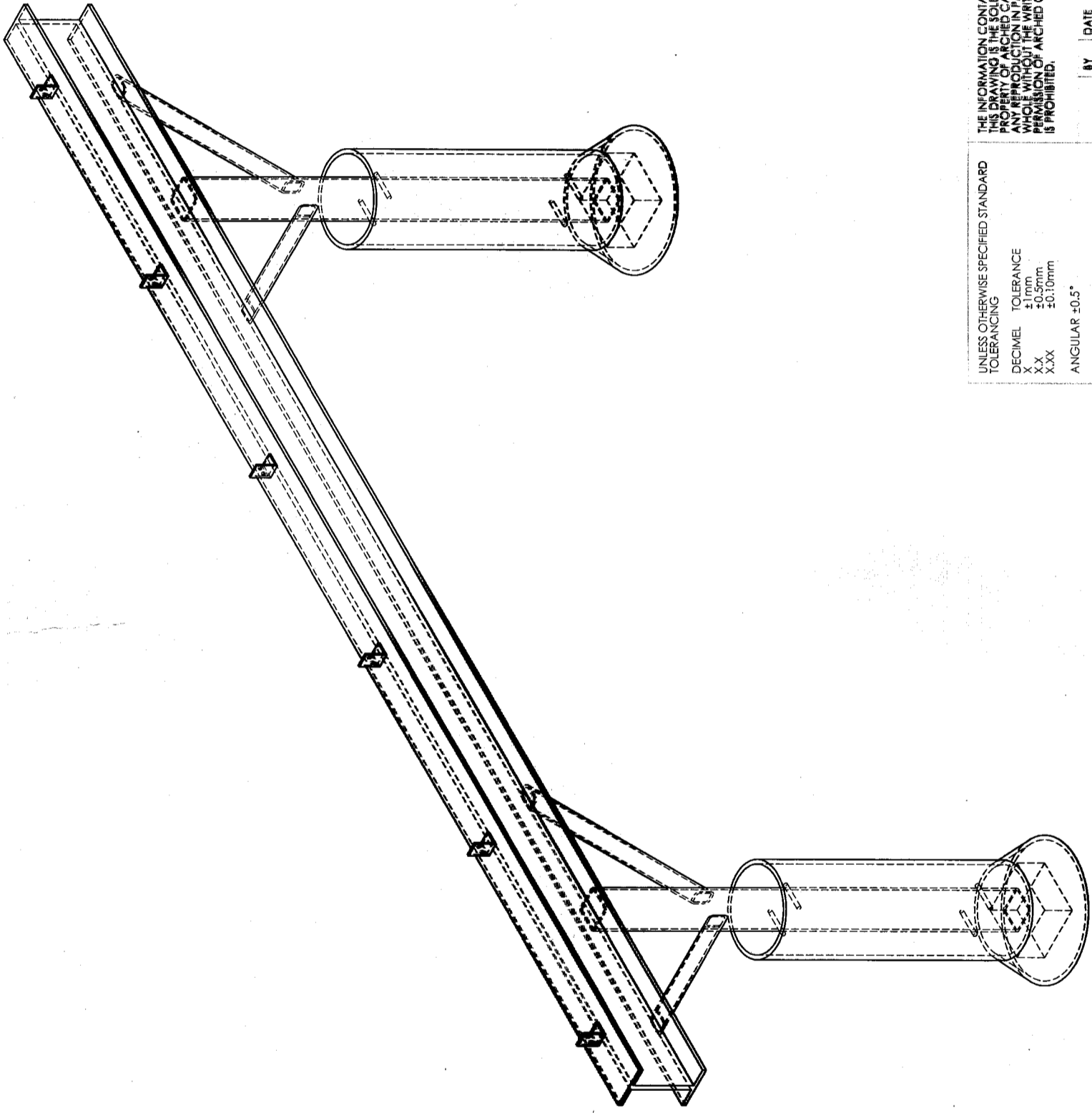
1 2.00 → 2 3 4 5 6 7 8



E
D
C
B
A

UNLESS OTHERWISE SPECIFIED STANDARD TOLERANCING DECIMAL TOLERANCE ±1mm X.XX ±0.5mm X.XXX ±0.10mm ANGULAR ±0.5° GEOMETRIC TOLERANCING: ◎ // ⊥ WITHIN 0.2 T.I.R. CAD GENERATED DO NOT MANUALLY UPDATE OR SCALE UNITS in		THE INFORMATION CONTAINED IN THIS DRAWING IS THE SOLE PROPERTY OF ARCHED CABINS. ANY REPRODUCTION IN PART OR WHOLE WITHOUT THE WRITTEN PERMISSION OF ARCHED CABINS IS PROHIBITED. BY SY DATE 6/2/2015 DRAWN SY CHECKED APPROVED MATERIAL		ARCHED CABINS 11834 DULA LANE CYPRESS, TX 77429 TEL: (281) 627-3621	
THE INFORMATION CONTAINED IN THIS DRAWING IS CONFIDENTIAL AND PROPRIETARY OF ARCHED CABINS. ANY REPRODUCTION IN PART OR AS A WHOLE WITHOUT WRITTEN PERMISSION OF ARCHED CABINS IS PROHIBITED.		DWG. NO. A-204-00 REV. 01		TITLE BEAM & PIER LAYOUT DETAIL	
PROJECTION FIRST ANGLE WEIGHT lbs		FINISH		SCALE B SHEET SIZE B SHEET 3 OF 4	

1 2.00 → 2 3 4 5 6 7 8



E

D

C

B

A

2.00

THE INFORMATION CONTAINED IN THIS DRAWING IS CONFIDENTIAL AND PROPRIETARY OF ARCHED CABINS. ANY REPRODUCTION IN PART OR AS A WHOLE WITHOUT WRITTEN PERMISSION OF ARCHED CABINS IS PROHIBITED.

THE INFORMATION CONTAINED IN THIS DRAWING IS THE SOLE PROPERTY OF ARCHED CABINS. ANY REPRODUCTION IN PART OR AS A WHOLE WITHOUT WRITTEN PERMISSION OF ARCHED CABINS IS PROHIBITED.

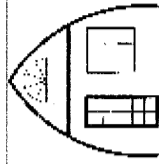
BY DATE
 DRAWN 6/2/2015
 CHECKED
 APPROVED
 MATERIAL

UNLESS OTHERWISE SPECIFIED STANDARD TOLERANCING
 DECIMAL ±1mm
 X ±0.5mm
 X.X ±0.10mm
 X.XX ±0.10mm
 ANGULAR ±0.5°
 GEOMETRIC TOLERANCING:
 ◎ // ⊥ WITHIN 0.2 T.I.R.
 CAD GENERATED
 DIMENSIONS
 UPDATE OR SCALE
 PROJECTION
 (1) (1) (1)

UNITS in WEIGHT lbs

FINISH

ARCHED CABINS
 11834 DULA LANE
 CYPRESS, TX 77429
 TEL: (281) 627-3621



BEAM & PIER
 LAYOUT DETAIL

DWG. NO. A-204-00 REV. 01

SCALE SHEET SIZE SHEET
 B 4 OF 4

1 2.00

2

3

4

5

6

7

8