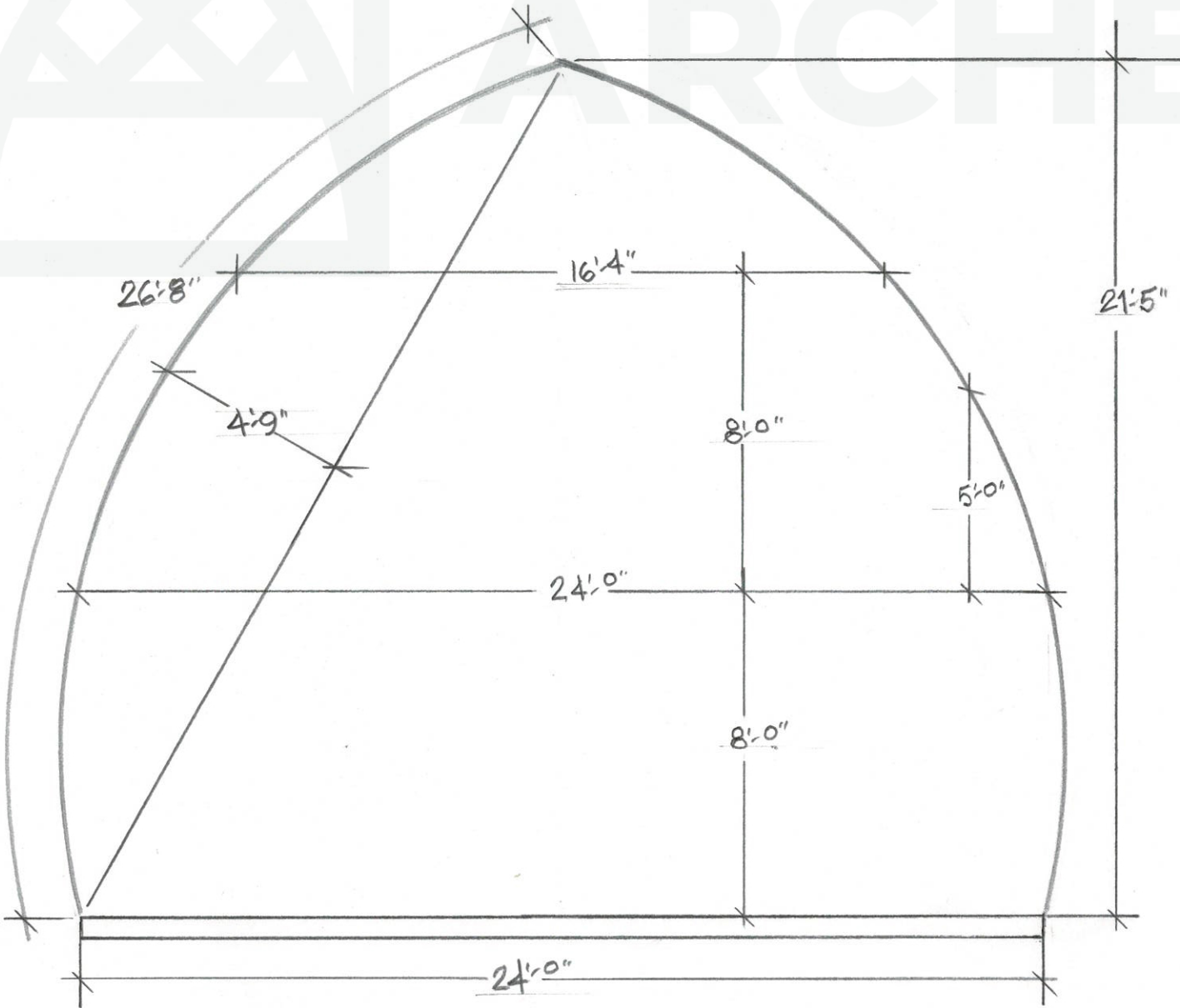




ARCHE



24' Ft XL Profile $\frac{1}{4}''=1'-0''$ DWG